

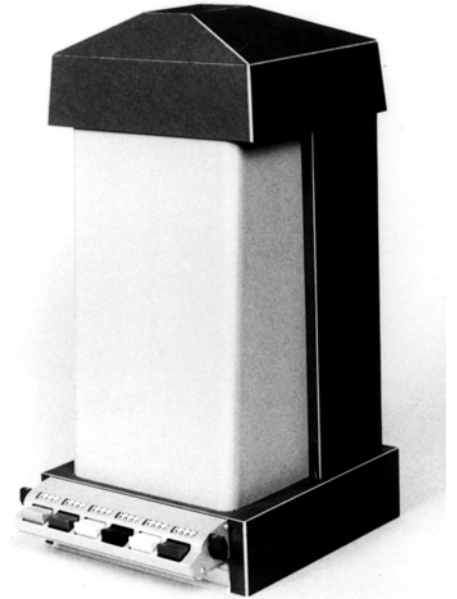
Ridership Counters

Subsidy requests under Section 5 of the Urban Mass Transit Act must include accurate ridership counts.

Typical ridership classifications:

- Regular Fares
- Handicap Fares
- Senior Citizens
- Student Fares
- Transfer Fares
- Zone Fares

**Any size and arrangement of counters for
Whatever ridership classifications you wish to count.**



FEATURES

(4-digit Counters are Standard)



- ◆ Short Stroke
- ◆ Light Touch
- ◆ Non-slip Keys
- ◆ Easy-to-read
- ◆ Gang Reset
- ◆ Quick Change Titles
- ◆ Rugged
- ◆ Choice of 21 Key Top Colors



GENERAL INFORMATION

- **Color Coding:** At no extra charge, Key Tops are available in Maroon, Rosewood, Yellow, White, Brown and light, dark or Alpine Green, light or dark Gray, Black, dark, light or pale Blue, Chartreuse, Citrus, Orange, Purple, Red, Tan or Toffee and arranged to your specifications. Many have found that the use of color speeds up count.
- **Mounting Options:** Single counters and all multiple counters in one row are available with base plates with non-slip pads and mounting holes in the extended flanges for attachment to a desk, bench or other surface. Mounting screws are also supplied.
- **Guarantee:** Denominators are **guaranteed** for two years. Any defective units will be repaired or replaced free of charge within that period.
- **Designation Tape:** Your Denominator will be shipped with pressure-sensitive tape on the machine. Titles can be written on the tape in pen, pencil, marker or crayon. When the tape is placed on a plastic sheet, designations can be typed on the tape. Additional 30-foot rolls of tape may be obtained from stock.

TALLY COUNTERS SINCE 1914

THE DENOMINATOR COMPANY, INC.

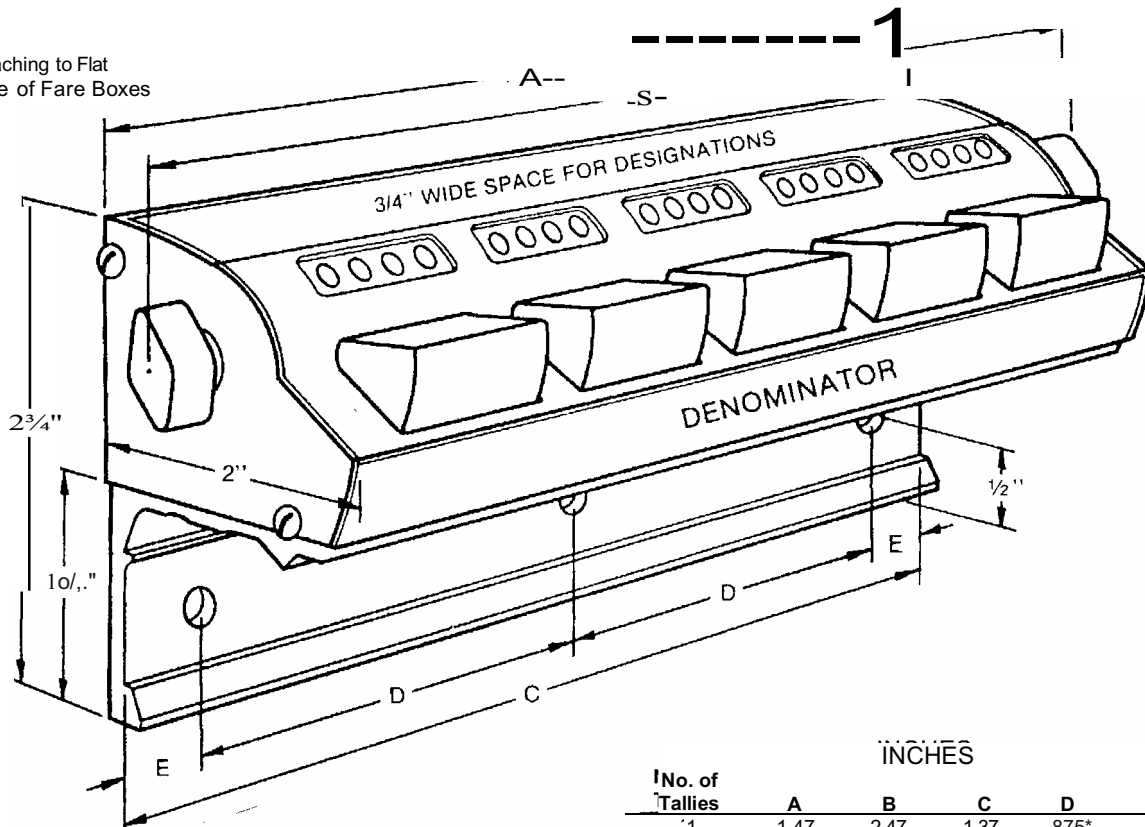
20 South Commons Rd • Suite #2

WATERBURY, CONNECTICUT 06704 U. S. A. • TEL 203-263-3210 • www.denominatorcompany.com



Back Mounting Designs for Attachment of Denominator Ridership Counters to Fare Boxes - Easy Installation

For Attaching to Flat
Surface of Fare Boxes

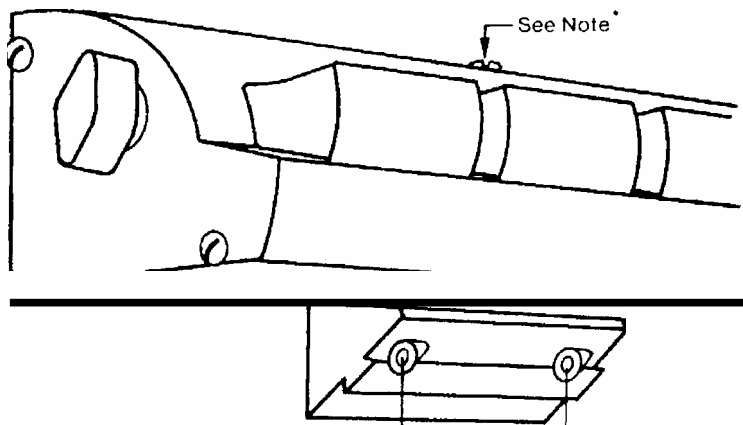


3/32" minimum thickness clear anodized aluminum extruded L-shaped bracket, holes for attachment to Fare Boxes 3/16", unless otherwise specified. Rubber Composition Pads may be mounted on the back of the mounting extrusion, when specified, at no extra charge.

No. of Tallies	INCHES				
	A	B	C	D	E
1	1.47	2.47	1.37	.875*	.25
2	2.99	3.99	2.89	1.890*	.500
3	4.18	5.18	4.08	3.080*	.500
4	5.37	6.37	5.27	2.135	.500
5	6.56	7.56	6.46	2.730	.500
6	7.75	8.75	7.65	3.325	.500
7	8.93	9.93	8.83	3.915	.500
8	10.12	11.12	10.02	4.510	.500

* between 2 holes instead of 3

For attaching to
Round Fare Boxes



• Note: This can be a stainless steel thumb screw 3/32 x 1 1/2" for easy removal for safe keeping. Or, a shorter, slotted round head screw is available for permanent attachment.

1/4"

TALLY COUNTERS SINCE 1914
THE DENOMINATOR COMPANY, INC.
20 South Commons Rd • Suite #2

WATERBURY, CONNECTICUT 06704 U. S. A. • TEL 203-263-3210 • www.denominatorcompany.com

